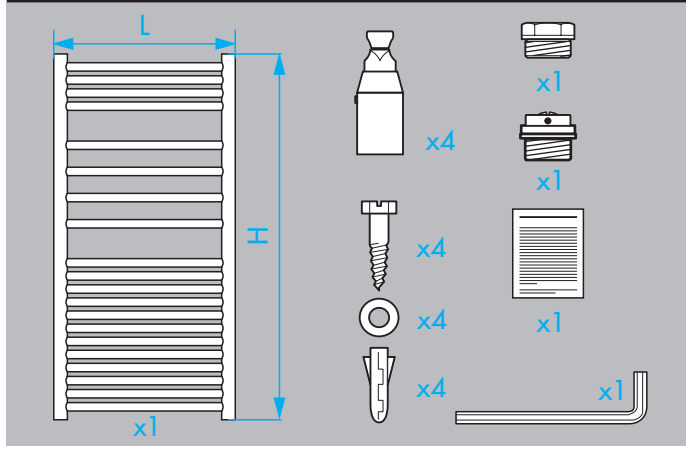
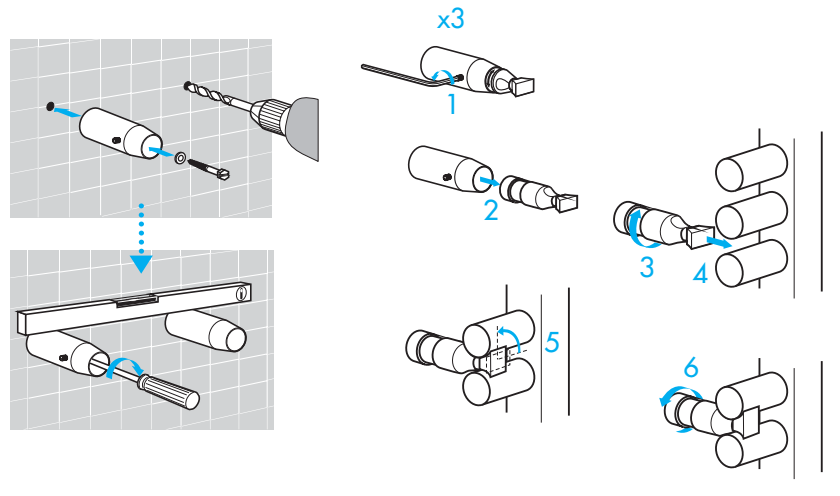
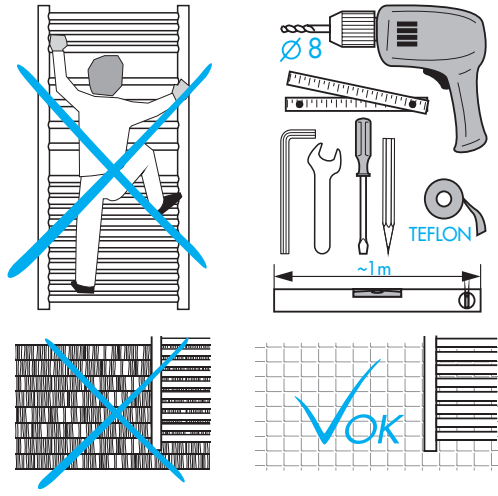


TYPE P34

260411

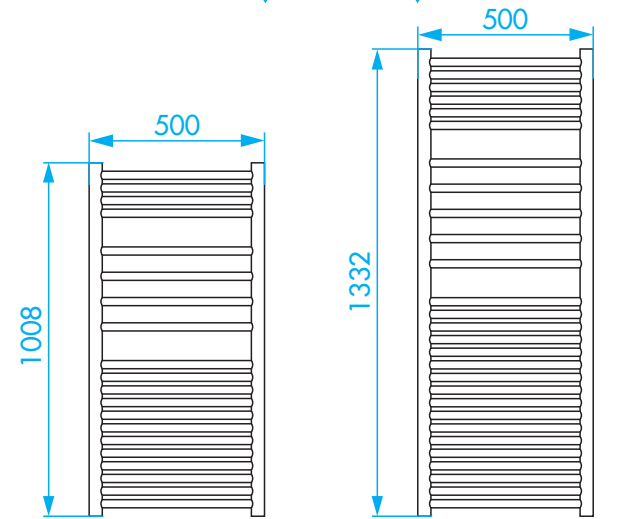
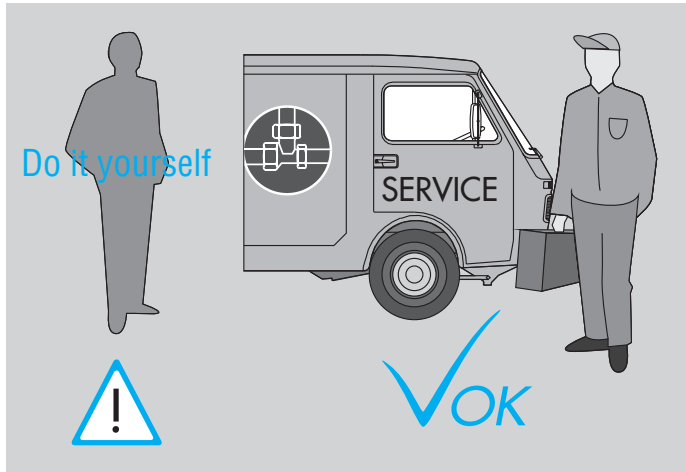
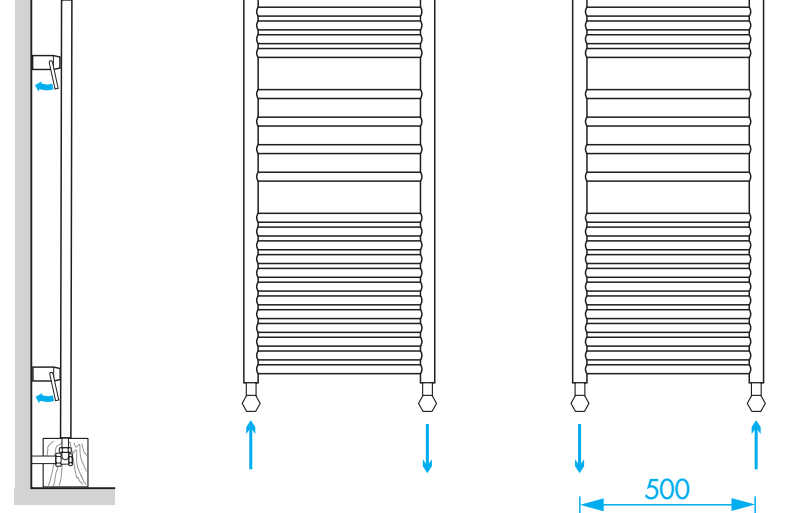
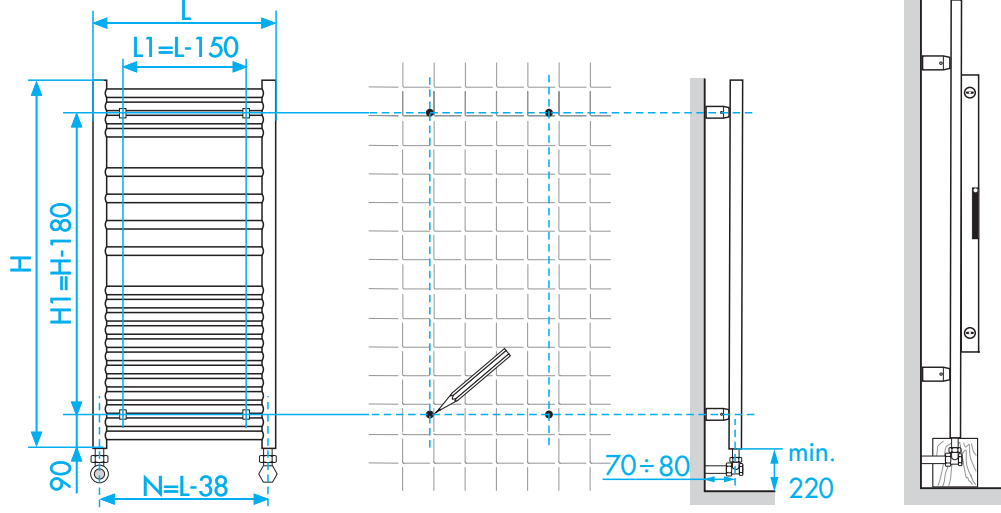


© Copyright by PBO 05/11

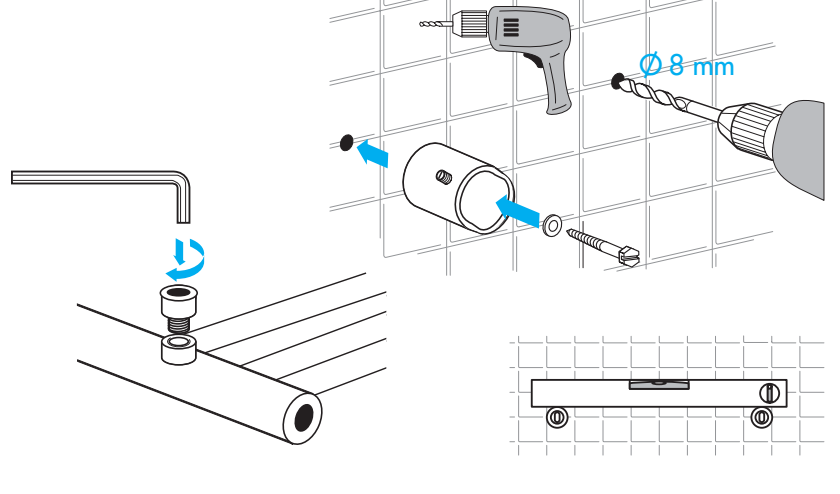
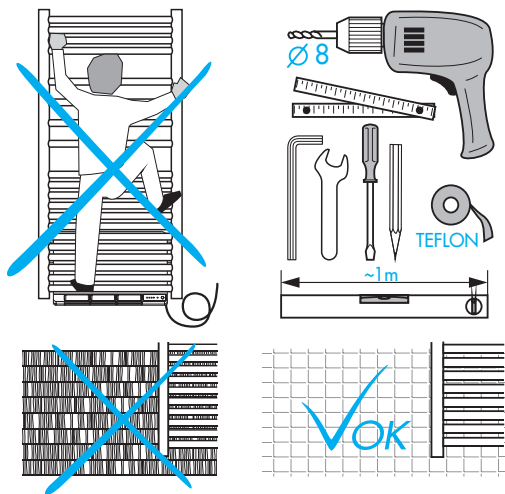
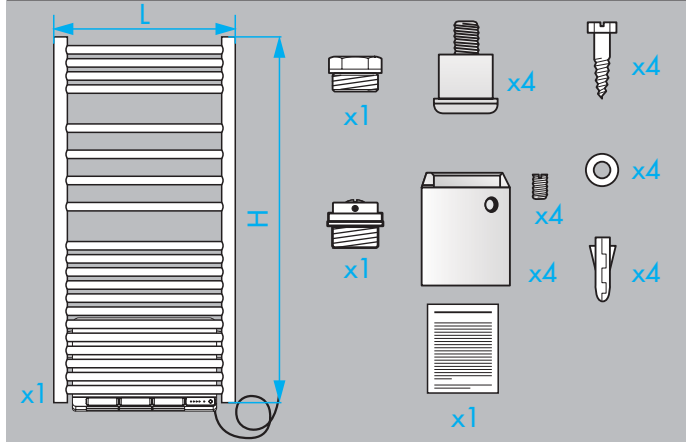


L	L1
500	350

H	H1
1008	828
1332	1152

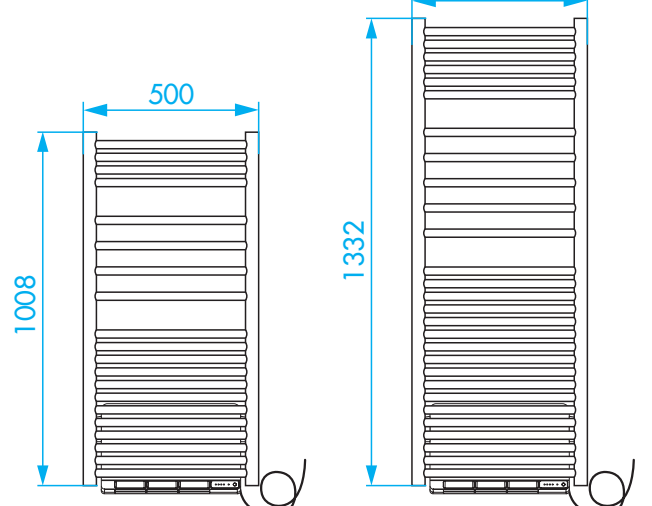
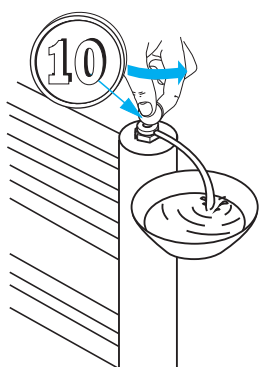
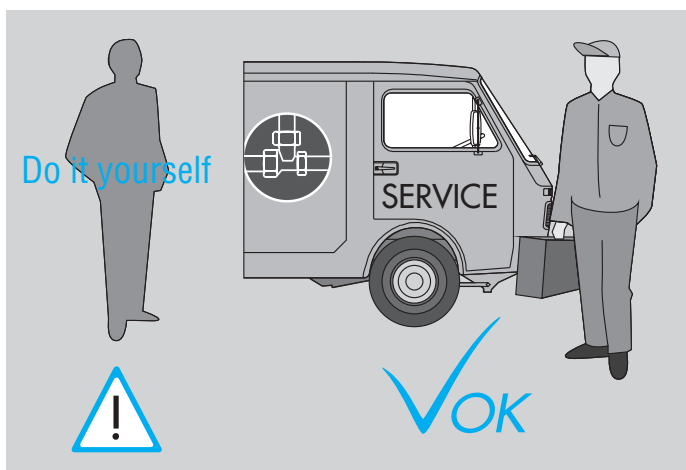
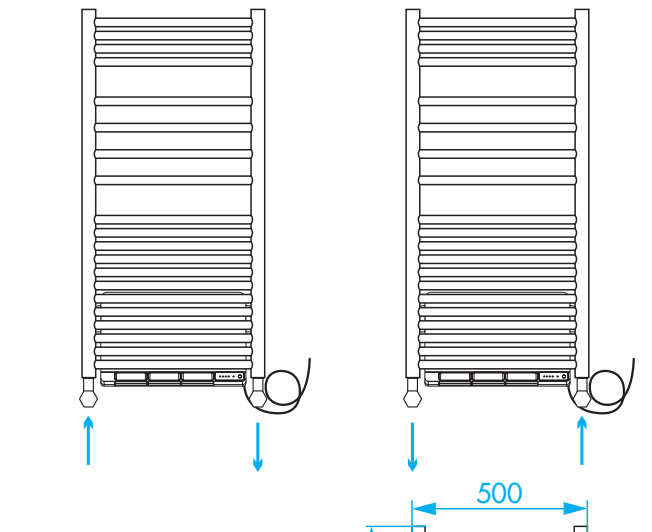
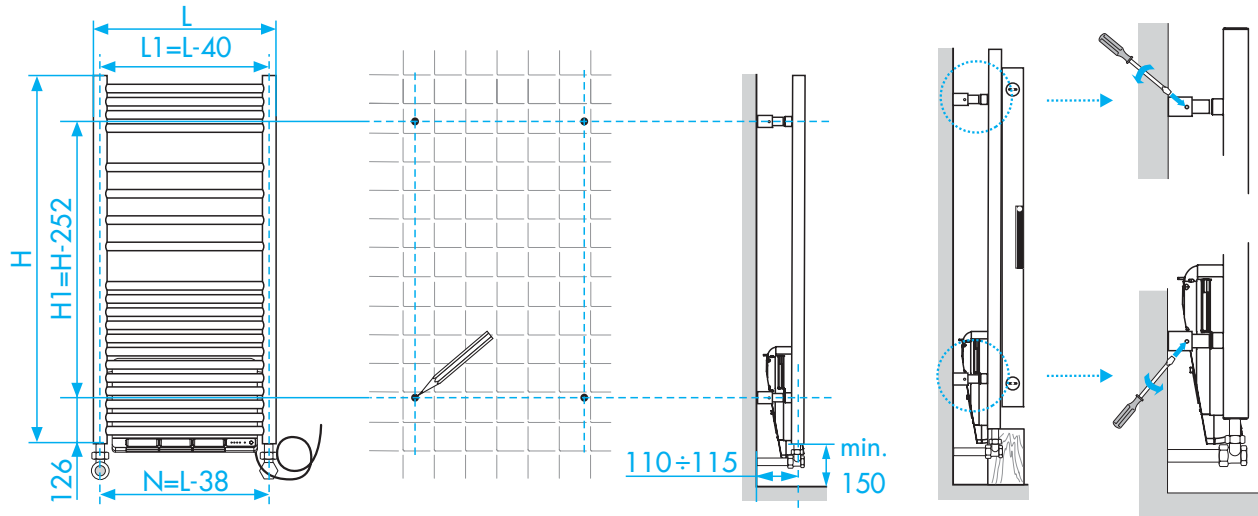


TYPE P34 F



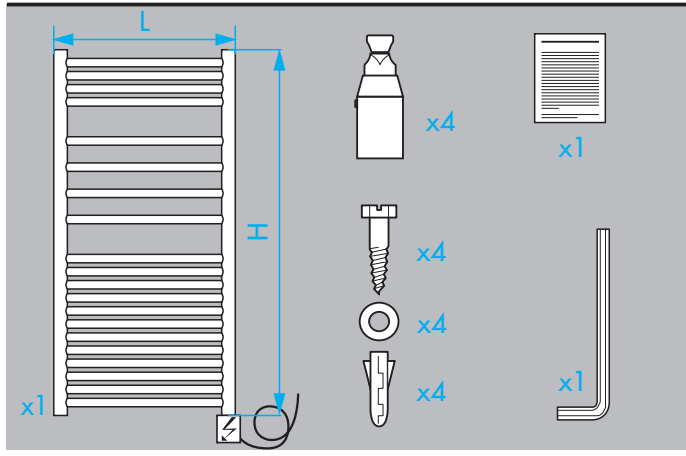
L	L1
500	460

H	H1
1008	756
1332	1080

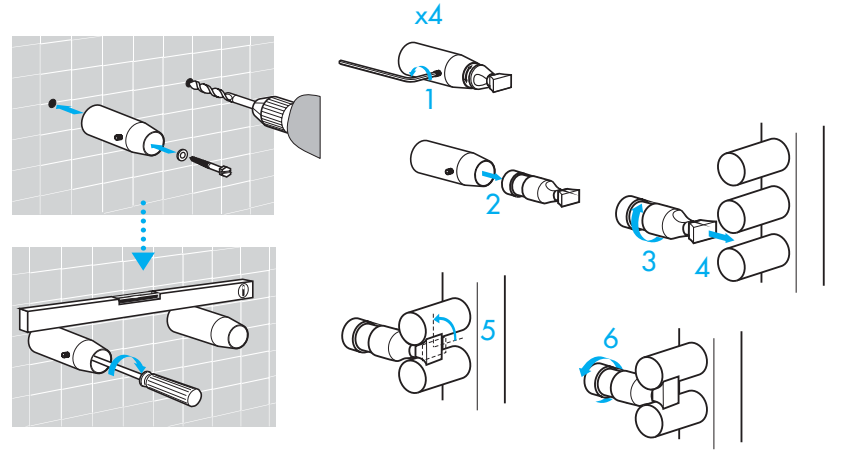
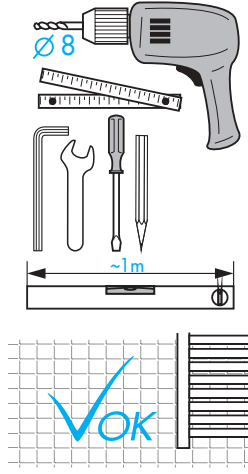
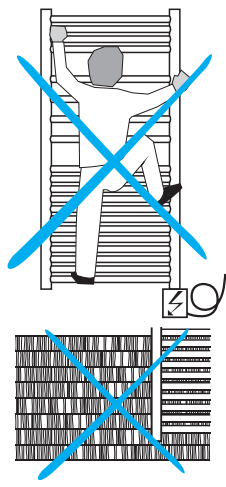


TYPE P34 E

260411

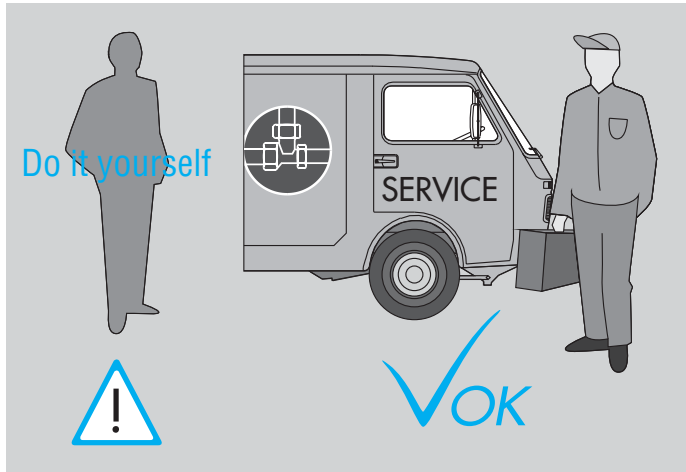
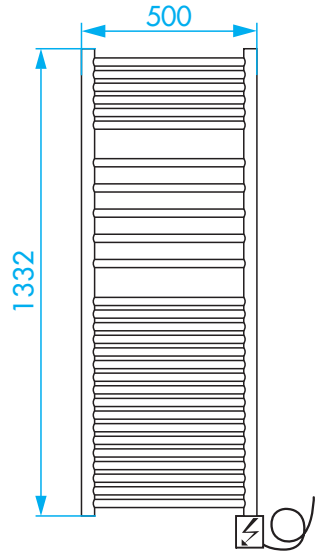
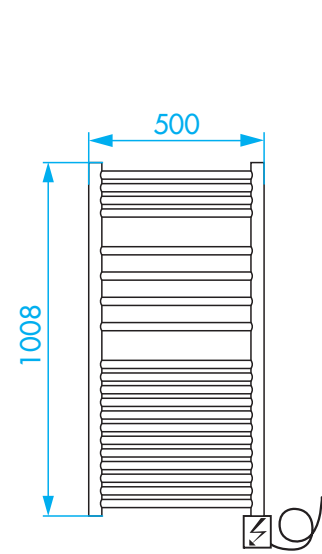
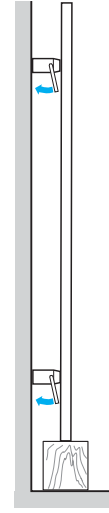
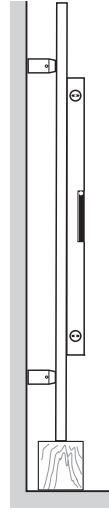
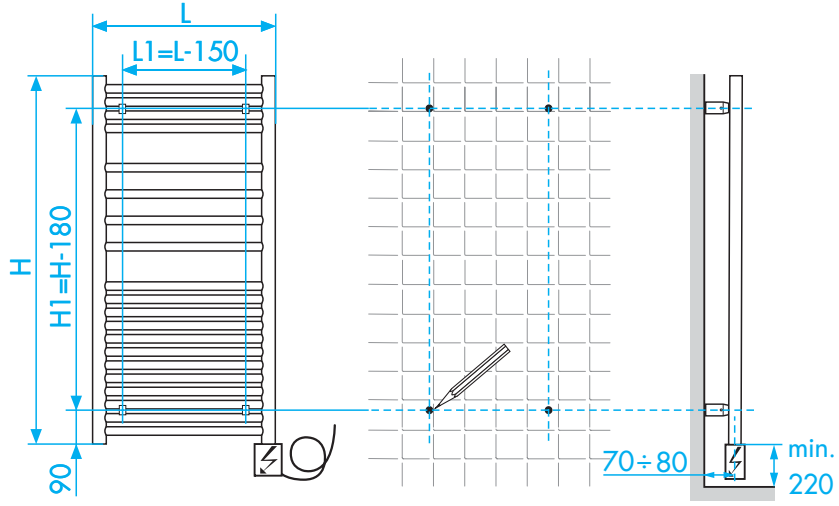


© Copyright by PBO 04/11

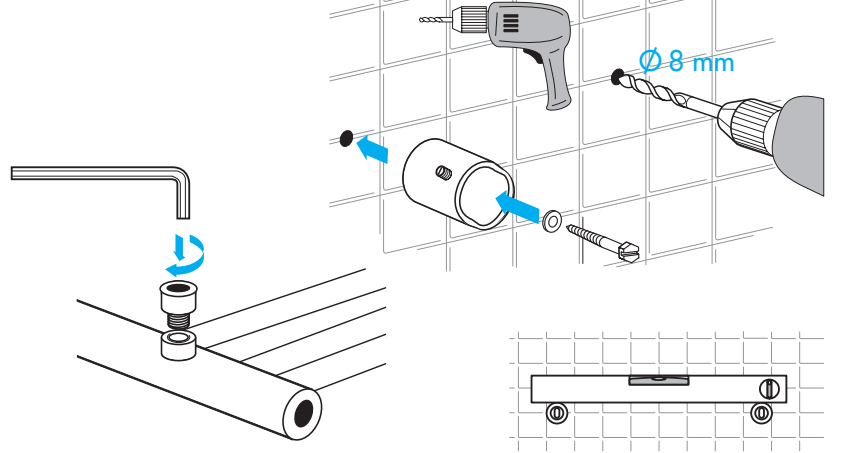
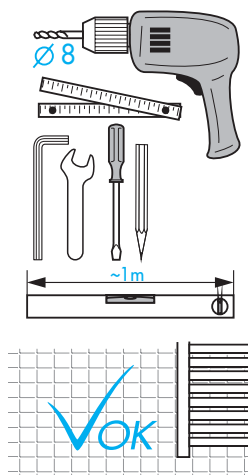
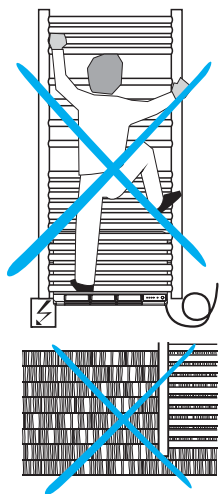
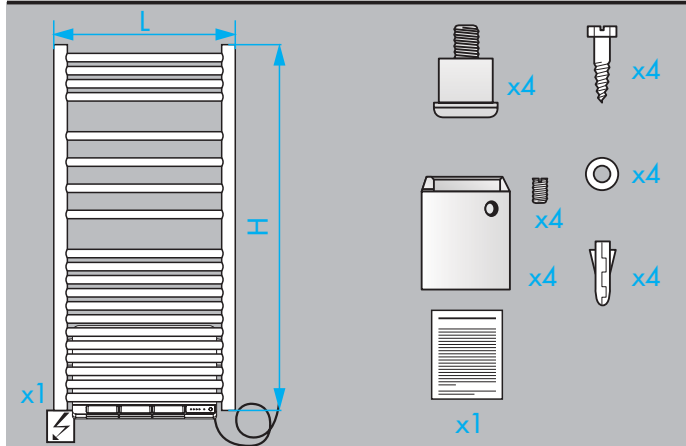


L	L1
500	350

H	H1
1008	828
1332	1152



TYPE P34 EF



L	L1
500	460

H	H1
1008	756
1332	1080

